

Douglas A. Ducey
Governor



Andy Tobin
Director

ARIZONA DEPARTMENT OF ADMINISTRATION

OFFICE OF THE DIRECTOR
100 NORTH FIFTEENTH AVENUE · SUITE 401
PHOENIX, ARIZONA 85007
(602) 542-1500

June 10, 2020

Tim Moore, Chairman
Arizona Silent Service Memorial Foundation
18741 N. 92nd Drive
Peoria AZ 85382
seawolfssn@outlook.com

Dear Mr. Moore:


Laws 2014, Fifty-first Legislature, Second Regular Session, Chapter 227 (SB1401) authorizes the Department of Administration (ADOA) to provide for the placement of a memorial dedicated to the commemoration of United States submarine veterans in Wesley Bolin Plaza.

Per the provisions of A.R.S. § 41-1363, ADOA has recognized the Arizona Silent Service Memorial Foundation as the proponent of the memorial.

As of this date: the Legislative Governmental Mall Commission approved the memorial on March 4, 2016; the ADOA General Services Division (GSD) has reviewed the concept and determined the most appropriate location for the memorial; the Arizona Historical Advisory Committee has made recommendations regarding the historical integrity of the memorial; GSD has approved the conditions of the design, dimensions and location of the memorial; and, the final construction plans have been reviewed for compliance with applicable code requirements.

Based on the abovementioned progress, I approve the design and location of the memorial; furthermore I direct GSD to prepare a contract with the Arizona Silent Service Memorial Foundation per the requirements of A.R.S. § 41-1363. Upon execution of the contract, ADOA will be able issue a Notice to Proceed for construction of the memorial.

Sincerely,


[Andrew Tobin \(Jun 10, 2020 12:21 PDT\)](#)

Andy Tobin
Director

Attachment

cc: Nola Barnes, Assistant Director, ADOA GSD
John Hauptman, General Manager, ADOA GSD

CONSTRUCTION PLANS FOR ARIZONA'S SILENT SERVICE MEMORIAL

WESLEY BOLIN PLAZA
1600 Washington Street
Phoenix, Arizona

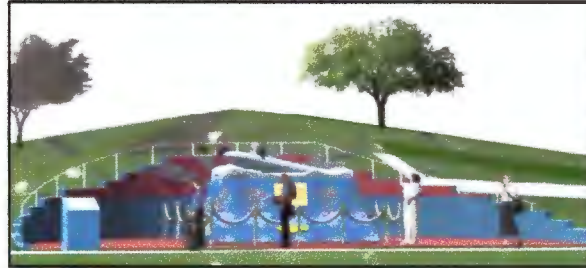


INDEX OF SHEETS

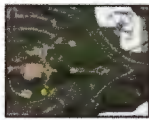
- 1 COVER SHEET
- 2 SURVEY CONTROL AND SPECIFICATIONS
- 3 AERIAL OVERVIEW
- 4 SITE PLAN
- 5 WALL AND PAVER DETAILS
- 6 WALL FACING DETAILS
- 7 BASE DIMENSION DETAILS
- 8 COPPER PANEL AND PLAQUE DETAILS
- 9 PLAQUES AND DEDICATION PODIUM
- 10 SURMARINE SCULPTURE DETAILS
- 11 MASONRY RETAINING WALL STRUCTURAL DETAILS
- 12 STRUCTURAL DETAILS
- 13 MISCELLANEOUS DETAILS
- 14 MISCELLANEOUS DETAILS

These plans and documents have been reviewed for compliance with the applicable code requirements of the jurisdiction. The stamping of these plans shall not be held to permit or for an approval of any violation of applicable codes and standards nor relieve the owner, design professional of record or contractor of compliance with applicable codes and standards. Plan review of documents does not authorize construction to proceed in violation of any Federal, State or local regulation.
BUREAU VERITAS NORTH AMERICA, INC.

Jason Field



**REISSUED FOR REVISION 1
CLARIFIED RETAINING WALL
DETAILS AFFECTING SHEETS
5 AND 11. 5-21-2020**



Location Map

Bureau Veritas
Reviewed For Code
Compliance
06/04/2020



Owner

Authorized by Senate Bill 1401 signed April 24, 2014 Laws 2014, Fifty-first Legislature Second Regular Session, Chapter 227 and as amended by Laws 2016, Fifty-second Legislature Second Regular Session, Chapter 344

April 12, 2020

APPLICABLE BUILDING CODES
2018 International Building Code

CODE REQUIRED SPECIAL INSPECTIONS

Concrete
Balls in Concrete
Reinforcing and Pre-stressing Steel
Structural Masonry

AS-BUILT CERTIFICATION

I hereby certify that the "as-built" documents are accurate and shall be used for any construction or as a guide for any other project in the field of engineering and design.

Professional License Number: 2709
Registration Number: _____

3. OF 14

General Notes:

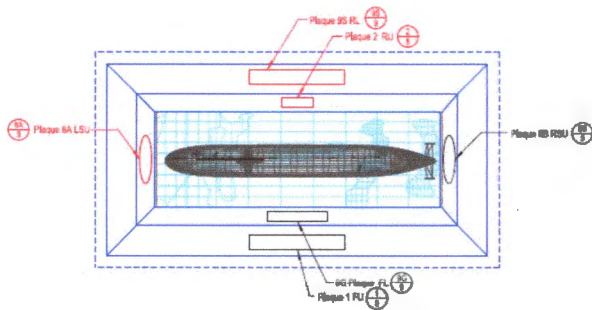
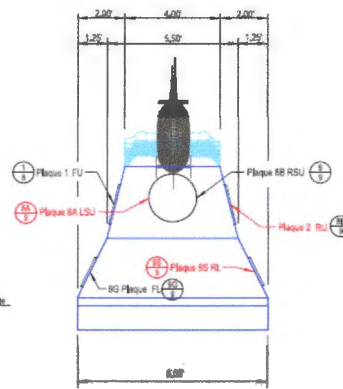
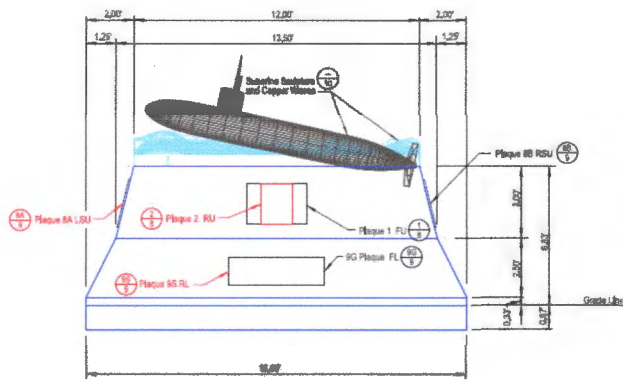
All work shall be performed in accordance with the latest edition of the Uniform Standard Specifications for Public Works Construction and Uniform Standard Details for Public Works Construction as published by the Maricopa Association of Governments unless noted otherwise.



Bureau Veritas
Reviewed For Code
Compliance
06/04/2020



NO.	DATE	DESCRIPTION	ISSUED FOR PERMITS
1	04/12/20	ARIZONA'S SILENT SERVICE MEMORIAL	Issued For Permits
AERIAL OVERVIEW FOR INFORMATION ONLY			
CIVIL PLANS			
			3. OF 14

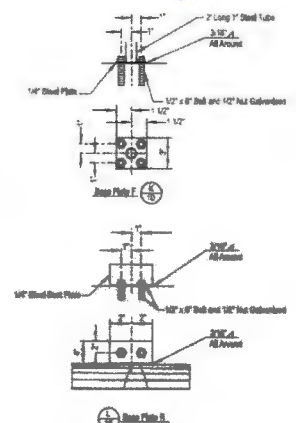
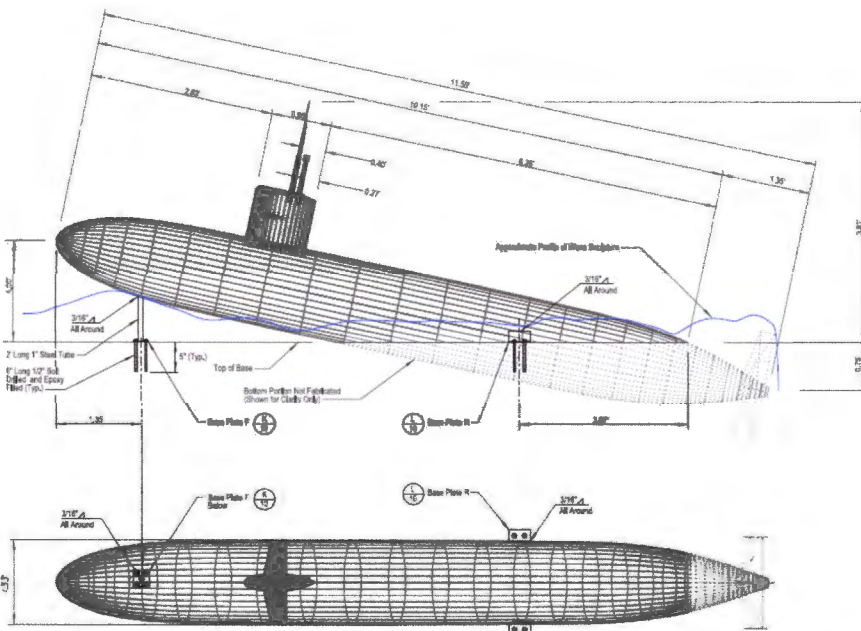


Bureau Veritas
Reviewed For Code
Compliance
06/04/2020



This Sheet is for Base Dimensions Only.
See Sheets A, B and C3 for Additional Information and Details on Plaques.

DATE	DESCRIPTION	ISSUED FOR PERMITS
06/04/2020	ARIZONA'S SILENT SERVICE MEMORIAL BASE DIMENSION DETAILS	ISSUED FOR PERMITS
CIVIL PLANS		7 OF 14



Bureau Veritas
Reviewed For Code
Compliance
06/04/2020

DATE	DESCRIPTION	ISSUED FOR PERMITS
06/04/2020	ARIZONA'S SILENT SERVICE MEMORIAL SUBMARINE SCULPTURE DETAILS	ISSUED FOR PERMITS
CIVIL PLANS		10 OF 14